

APPLICATION:

PRODUCT NAME:

SINGLE WALL FAUCET

JOB NAME:

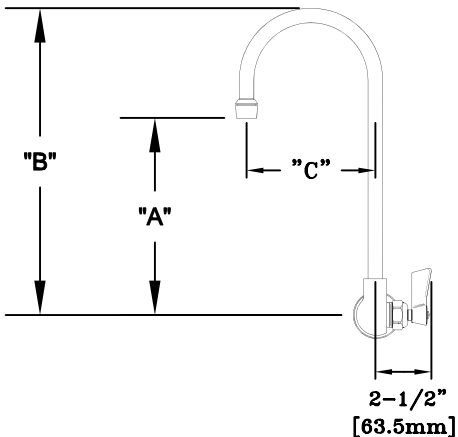
SPECIAL CONFIGURATION
 CHECK BASE MODEL AND OPTIONS

QUANTITY:

ITEM NO.

MODEL:

3716 W/ 12" RIGID GOOSENECK SPOUT
 2054 W/ 6" RIGID GOOSENECK SPOUT



MODEL	DIM "A"	DIM "B"	DIM "C"
3716	6-1/4" [158.8mm]	10-5/16" [261.9mm]	5-1/2" [139.7mm]
2054	4-7/8" [123.8mm]	8-9/16" [217.5mm]	3-1/2" [88.90mm]

OPTIONS OR MODIFICATIONS:

SUPPLY LINES (24" OR 36") CIRCLE LENGTH
 NIPPLES
 ELBOWS
 HANDLES (CROSS OR WRIST) CIRCLE STYLE
 VANDAL RESISTANT KIT
 OTHER _____

FEATURES

- * SINGLE WALL
- * SWIVELLING SEAT DISKS
- * STEM - RIGHT HAND
- * STAINLESS STEEL SEATS
- * STAINLESS STEEL SEAT SCREWS
- * STAINLESS STEEL HANDLE SCREWS
- * HOT & COLD INDEX BUTTONS

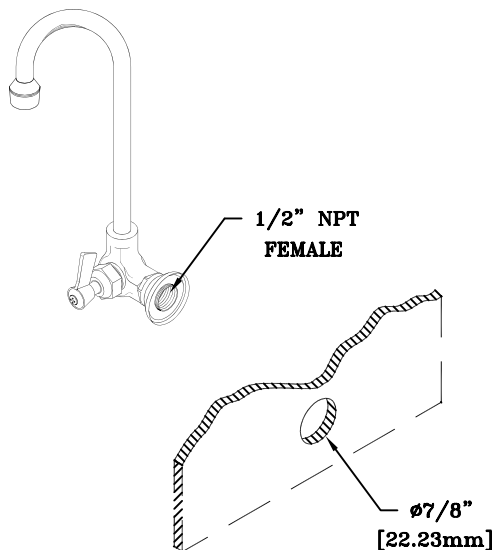
SYSTEM LIMITS

- * TEMP: 40°F MIN. TO 140°F MAX.
- * PRESSURE 200 PSI MAX. STATIC
- * 2.20 GPM @ 60 PSI

SHIPPING WEIGHT

- * 2.5 LBS

ROUGH-IN:



ANSI/A112.18.1M

FISHER

FISHER MANUFACTURING COMPANY

TOLL FREE: 800-421-6162 - FAX: 800-832-8238
 information@fisher-mfg.com - www.fisher-mfg.com